

**VT-HAC-HFW1100BP-B-AR**

1Megapixel 720P Water-proof IR HDCVI Camera

**Features**

- 1/2.9" 1Megapixel CMOS
- 25/30fps@720P
- High speed, long distance real-time transmission
- Day/Night(ICR), AWB, AGC, BLC, 2D-DNR
- 6mm fixed lens (2.8 mm, 3.6mm, 8mm optional)
- Max. IR LEDs length 30m, Smart IR
- IP66, DC12V
- Default with bracket

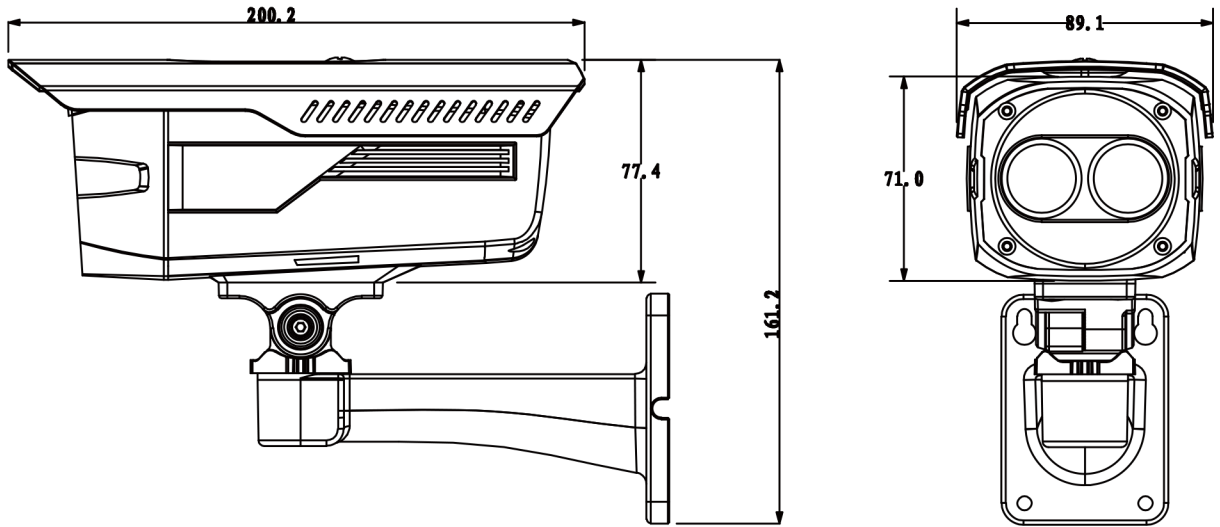
## VT-HAC-HFW1100BP-B-AR

## Technical Specifications

<b>Model</b>	<b>VT-HAC-HFW1100BP-B-AR</b>	
<b>Camera</b>		
Image Sensor	1/2.9" 1Megapixel CMOS	
Effective Pixels	1280(H)×720(V)	
Electronic Shutter	1/50s~1/100,000s	
Video Frame Rate	25fps@720P	30fps@720P
Synchronization	Internal	
Min. Illumination	0.01Lux@F1.2 (AGC ON), 0Lux IR LED on	
Video Output	1-channel BNC HDCVI high definition video output	
<b>Camera Features</b>		
Max. IR LEDs Length	30m, Smart IR	
Day/Night	Auto(ICR) / B&W / Color	
Noise Reduction	2D	
<b>Lens</b>		
Focal length	6mm (2.8 mm, 3.6mm, 8mm optional)	
Mount Type	M12	
<b>General</b>		
Power Supply	DC12V±10%	
Power Consumption	Max 4.9W	
Working Environment	-30°C~+60°C / Less than 95%RH (no condensation)	
Transmission Distance	Over 500m via 75-3 coaxial cable	
Ingress Protection	IP66	
Dimensions(W×D×H)	200.2mm×89.1mm×161.2mm	
Weight	0.58kg	
Others	Default: bracket included	

VT-HAC-HFW1100BP-B-AR

Dimensions (mm)



Distributed in India by :

G8 Infotech Pvt. Ltd.

No. 949, 66th Street,  
11th Sector, K.K. Nagar,  
Chennai – 600 078  
Tamil Nadu, India.

Email: [chennai@veetoh.com](mailto:chennai@veetoh.com)

Phone: +91 96000 89884

Fax: +91 44 42647475

\*Design and specifications are subject to change without notice.

© 2016 Veetoh