

VT-HAC-HFW1000RM-AR

1Megapixel 720P Water-proof HDCVI IR Bullet Camera

**Features**

- 1/4" 1Megapixel CMOS
- 25/30fps@720P
- High speed, long distance real-time transmission
- HD and SD switchable
- OSD Menu, control over coaxial cable
- DWDR, Day/Night(ICR), AWB, AGC, BLC, 2DNR
- 3.6mm fixed lens (2.8mm optional)
- Max. IR LEDs length 20m, Smart IR
- IP67, DC12V

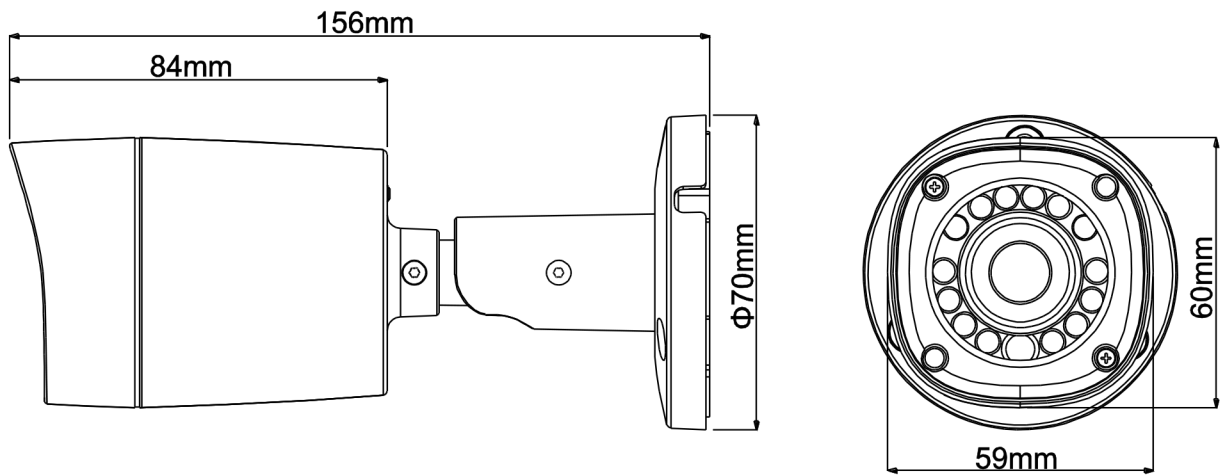
VT-HAC-HFW1000RM-AR

Technical Specifications

Model	VT-HAC-HFW1000RMP-AR	VT-HAC-HFW1000RMN-AR
Camera		
Image Sensor	1/4" 1Megapixel CMOS	
Effective Pixels	1280(H)×720(V)	
Electronic Shutter	1/50s~1/100,000s	1/60s~1/100,000s
Video Frame Rate	25fps@720P	30fps@720P
Synchronization	Internal	
Mini. Illumination	0.05Lux/F2.0, 0Lux IR on	
Video Output	1-channel BNC high definition video output/ CVBS standard definition video output (Can switch)	
Camera Features		
Max. IR LEDs Length	20m, Smart IR	
Day/Night	Auto(ICR)/Color/B/W	
Backlight Compensation	DWDR	
Noise Reduction	2D	
OSD Menu	Support	
Lens		
Focal Length	3.6mm fixed lens (2.8mm optional)	
Angle of View	H: 60° (83.4°)	
Mount Type	M12	
General		
Power Supply	DC12V±25%	
Power Consumption	Max 2.8W	
Working Environment	-40°C~+60°C / Less than 95%RH (no condensation)	
Transmission Distance	Over 800m via 75-3 coaxial cable	
Ingress Protection	IP67	
Dimensions(W×D×H)	Φ70mm×156mm	
Weight	0.3kg	
Material	Metal	

VT-HAC-HFW1000RM-AR

Dimensions (mm)



Accessories (optional)



Distributed in India by :

G8 Infotech Pvt. Ltd.

No. 949, 66th Street,
11th Sector, K.K. Nagar,
Chennai – 600 078
Tamil Nadu, India.

Email: chennai@veetoh.com

Phone: +91 96000 89884

Fax: +91 44 42647475

*Design and specifications are subject to change without notice.

© 2016 Veetoh